

16

RETRO Series

COMMERCIAL HAND DRYER

CAST IRON CONSTRUCTION FOR COMPACT, STYLISH DESIGN WITH FAST DRYING SPEED AND LONG LASTING DURABILITY.

ENVIRONMENTALLY FRIENDLY, USING LESS THAN 1/6th OF THE ENERGY OF A CONVENTIONAL HAND DRYER

FEATURES

- Powerful
 - Stylish appearance, blue LED
 - Efficient, fast and safe
 - Push button with long life operation
 - Suitable to be installed in high traffic places
 - LIFETIME warranty
 - Small footprint
 - Vandal proof
 - Heavy duty reinforced steel
 - Tamperproof screws
- **Unique feature: drying timer customizable: from 0 to 3 minutes drying time**

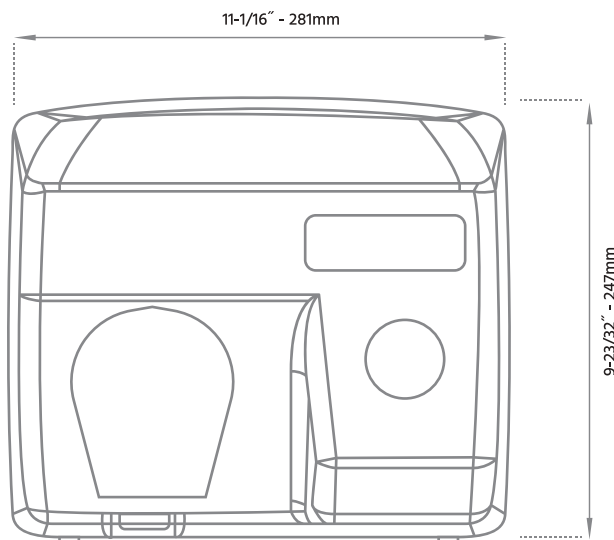
APPLICATIONS

- Washrooms and clean up areas, commercial facilities, factories, restaurants and hospitals
- High traffic areas
- Ideal for pools, gyms , stadiums
(hair drying enable)

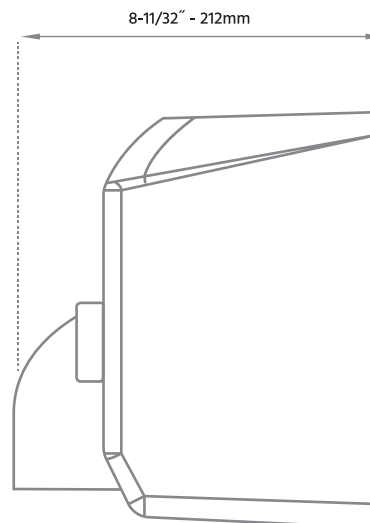


DIMENSIONS

FRONT VIEW



SIDE VIEW



DISTANCE FROM BOTTOM
EDGE OF DRYER TO FLOOR

Men	47" (119 cm)
Women	44" (112 cm)
Children 8-10 years	35" (89 cm)
Children 11-13 years	38" (97 cm)
Children 14-16 years	44" (112 cm)
Disabled	36" (91 cm)



White

Chrome

SPECIFICATIONS

Operation Voltage 110 – 120Vac, 50 – 60Hz, 2.0 – 2.4 KW
 220 – 240Vac, 50 – 60Hz, 2.0 – 2.4 KW
Warm Air Speed Output 28 m/s (62.6 mi/hr)
Drier Shall Deliver 345 rrlh (202 CFM)
Motor Type 200 W, 5,500 R.P.M., brush motor
Motor Thermal Protection Auto resetting thermostat turns unit off at 105°C (221°F)
Heater Thermal Protection Auto resetting thermostat turn units off at 65°C (14°F);
 Thermal fuse cut unit off at 141°C (28°F)
Drying Time Approximately 20-25 seconds
Sound Level 70±3 dB @ 1 m

Timing Protection 60 seconds auto shut off
Drip Proof IPX1▲
Isolation Class 1
Material Steel
Cover Finish Porcelain Enameled Coating
Dimensions 281 mm (W) x 247 mm (H) x 212 mm (D)
 [11-1/16" (W) x 9-23/32" (H) x 8-11/32" (D)]

ORDERING GUIDE

Model No.	Color	Watts	Volts Hz	Air Velocity LFM	Air Volume CFM	Noise dB	Dimensions (W x H x D) (mm/in.)	Weight (kg/lbs.)
RETRO-W110V RETRO-W240V	White	2200	110-120, 220-240	16000	202	70	281X247X212 (11X9X8)	6.8/15
RETRO-C110V RETRO-C240V	Chrome	2200	110-120, 220-240	16000	202	70	281X247X212 (11X9X8)	6.8/15