

08

BLAST Series

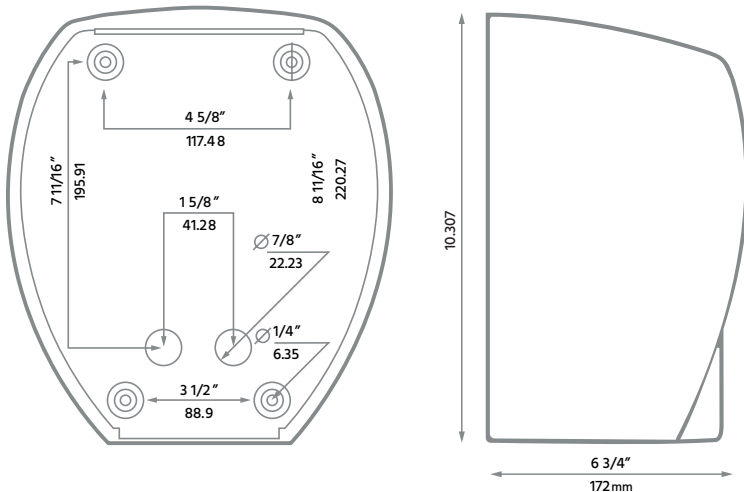
HAVE A BLAST!

REINFORCED STEEL CONSTRUCTION FOR A COMPACT AND MODERN DESIGN WITH UNSURPASSED DRYING SPEED FOR A LONG LASTING DURABILITY. ENVIRONMENTALLY FRIENDLY, USING LESS THAN 1/6th OF THE ENERGY OF A CONVENTIONAL HAND DRYER

FEATURES

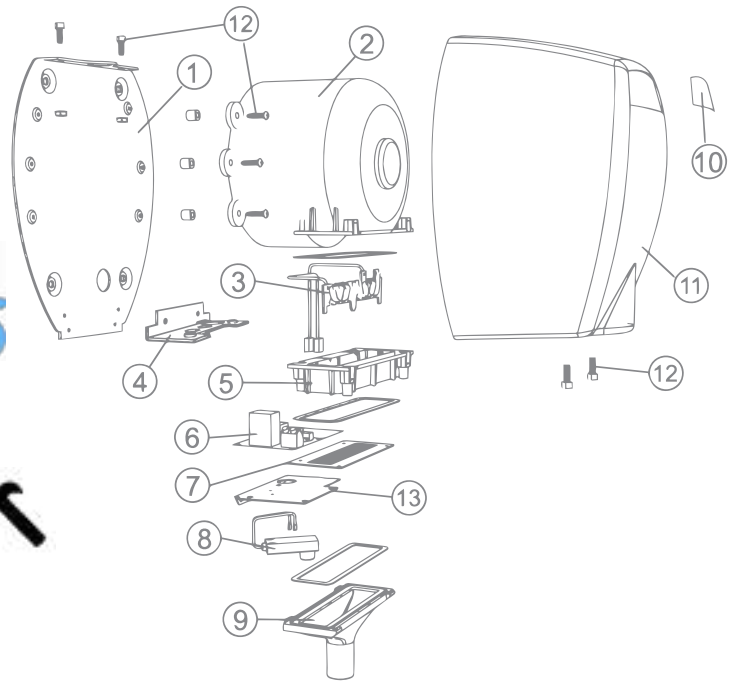
- Vandal proof-not scratchable with any sharp object
- Fastest drying time on the market
- Automatic infrared actuated sensor, for power conservation and maximum hygiene
- Robust, tamperproof design and construction for greater product durability and longevity in application
- High velocity (100 CFM) airflow for ultra high speed hand drying
- Universal voltage: automatic voltage switching for an easier installation
- Contributes to LEED and BOMA building certifications
- **Exclusive: Heater on~off switch**
- Smallest footprint on the market
- Tamperproof screws

DIMENSIONS



APPLICATIONS

- Washrooms and clean up areas, commercial facilities, factories, restaurants and hospitals schools, pools, gyms.
- Made for high traffic public areas



REPLACEMENT PARTS

1	Baseplate	8	Sensor
2	Motor Assembly	9	Nozzle
3	Heating Elements	10	Nameplate
4	Inlet Grill (cast cover)	11	Cover
5	Element housing	12	Fasteners
6	Circuit Board	13	Sensor Mounting Plate
7	Outlet Grill Bracket	14	Tamper-Proof Key



White



Black



Stainless Steel



Chrome

SPECIFICATIONS

Voltage Universal 115-230*VAC (*50/60Hz)
Wattage 1450 W at 5.2A (230VAC)
Motor Vacuum Motor, 36,000 RPM (outside the enclosure)
 5/8HP 20,000 RPM (installed in the enclosure)
Colour White, Black and Gray
Finish Porcelain enamel.
Heating Element 725w resistance coil.
Construction Material Reinforced Steel

Controls & Wiring Automatic resetting thermostat with cutout when airflow is restricted. Infrared sensor cutout two seconds after hand removal, and 85 seconds after initiating drying.
Installation Removable predrilled baseplate for easy mounting.
Warranty LIFETIME
 CSA certified for use in Canada and the U.S. CE approved for use where applicable.
Patent Pending

ORDERING GUIDE

Model No.	Color	Watts cold air hot air	Volts Hz	Air Velocity LFM	Air Volume CFM	Noise dB	Dimensions (W x H x D) (mm/in.)	Weight (kg/lbs.)
C-200000000	White	725-1450	115-230,50-60	19,000	100	78	235 x 280 x 170 (9.25 x 11.02 x 6.69)	5/11
C-200240000	Black	725-1450	115-230, 50-60	19,000	100	78	235 x 280 x 170 (9.25 x 11.02 x 6.69)	5/11
C-200220000	Brushed stainless steel	725-1450	115-230, 50-60	19,000	100	78	235 x 280 x 170 (9.25 x 11.02 x 6.69)	5/11
C-200230000	Chrome	725-1450	115-230, 50-60	19,000	100	78	235 x 280 x 170 (9.25 x 11.02 x 6.69)	5/11



COMMERCIAL HAND DRYERS TO ORDER PLEASE CALL 1-855-550-0303

comaccorporation.com

