

Installation must be performed by qualified personnel.
 Hand dryer must be grounded.

- Remove the two tamper-proof cover attachment screws using the supplied key. Tilt the cover outward and unhook at the top.
- Use the chart below to determine the correct height of the baseplate. When two or more dryers are installed, they should be placed no closer than 60cm (24") between centers. Mark the location of the four mounting holes.
- All dryers must be fed by two power conductors and one ground wire. For wall wiring, carry the electrical wire to the dryer and attach it to the baseplate knockout using an approved connector.
- Attach the baseplate firmly to the wall. For wood walls or wood studs, use minimum No. 12 screws of proper length to ensure 25mm (1") minimum stud penetration. For masonry walls use expansion bolts or anchors for 6mm (1/4") screws of proper length to ensure penetration 6mm (1/4") deeper than anchor. Shim if necessary to ensure that the baseplate is level and flat against the wall.
- For surface wiring, remove the knockouts from the dryer inlet grill and the outlet grill bracket and bring the conduit to the dryer from below. Attach the conduit to the outlet grill bracket using an approved connector.
- Connect the two power leads to the terminal block on the circuit board. Tug gently on the wires to ensure that they are held tightly.

Attach the ground wire securely to the ground screw on the wallplate.

- Replace the dryer cover. Hook the cover onto the two cap screws at the top and pivot the bottom of the cover over the metal tabs on the inlet grill. Replace the two tamper-proof screws, taking care not to cross-thread or over-tighten them.

· **IMPORTANT: After turning on electrical power, wait 5 seconds before attempting to operate dryer.**

Cleaning & Maintenance

- Regularly clean exterior surfaces and wash with mild soap.
- Remove accumulated dust from air inlet areas.
- Ensure that infrared sensor lens is clean and unobstructed.

Once per year, or more frequently if dryer is installed in a dusty, greasy, or heavy use environment:

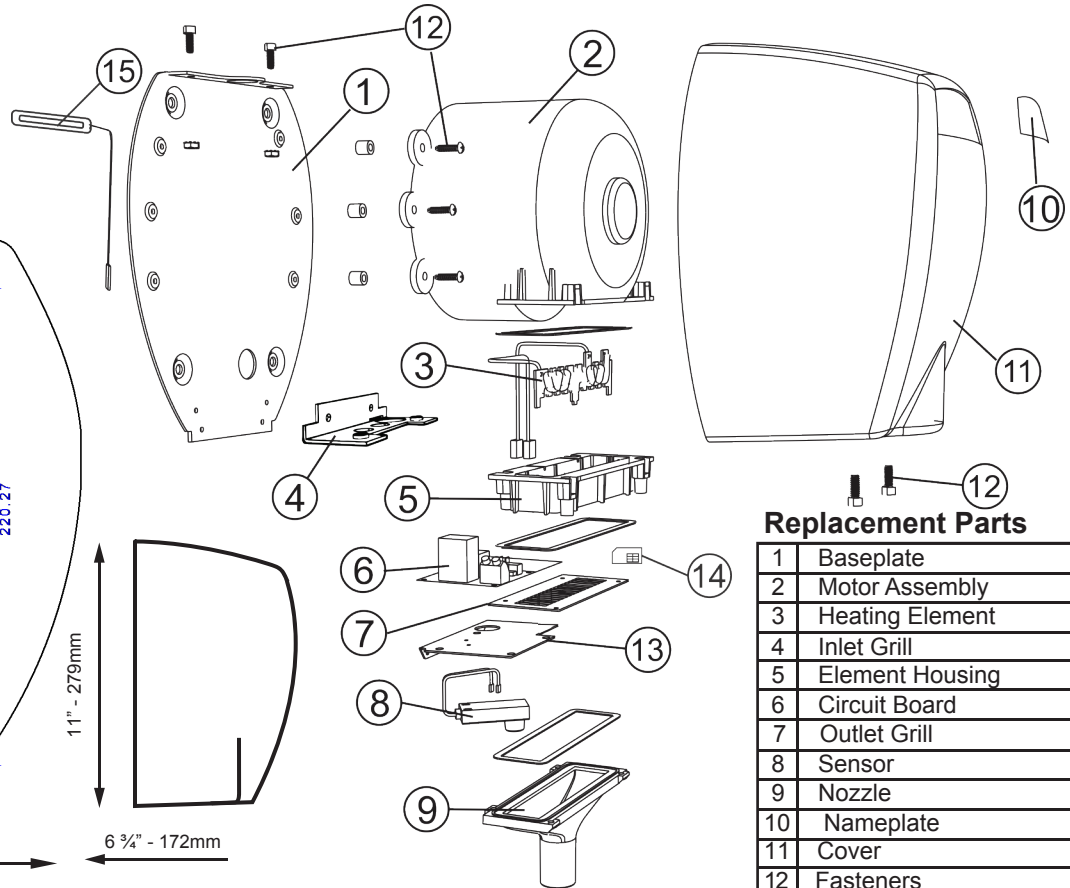
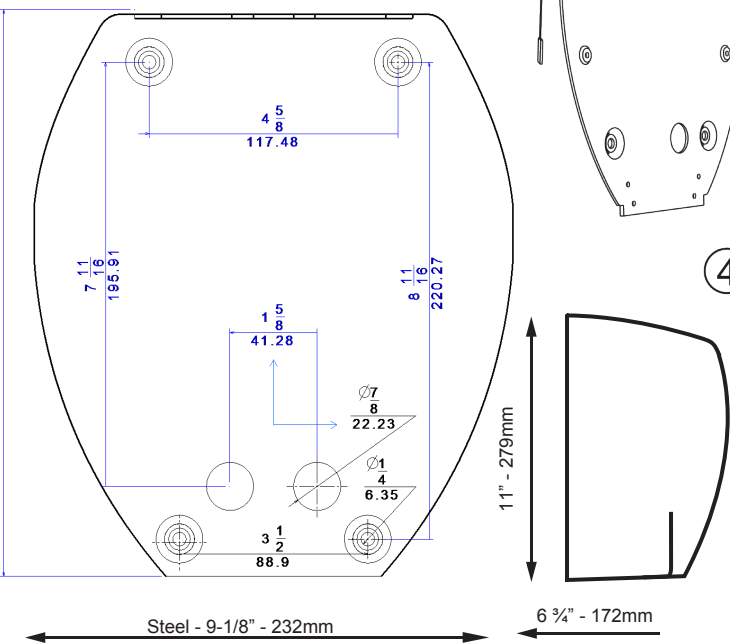
- **IMPORTANT:** Turn off the breaker at electrical panel or source.
- Remove cover.
- Remove accumulated dust from mechanism.
- Replace cover and restore power.

IMPORTANT: It takes up to 3 minutes after power-on till hand dryer be ready to operate. When device turns on, it tries to connect to the network for two times and each times it takes up to 90 seconds. If device is not able to connect to the network , the modem turns off and device works as a standard hand dryer



DIMENSIONS iCAST

Back plate BLAST& iBLAST
 Echelle : 1:1



Replacement Parts

1	Baseplate
2	Motor Assembly
3	Heating Element
4	Inlet Grill
5	Element Housing
6	Circuit Board
7	Outlet Grill
8	Sensor
9	Nozzle
10	Nameplate
11	Cover
12	Fasteners
13	Sensor Mounting Plate
14	NOT AVAILABLE
15	NOT AVAILABLE

Distance from bottom edge of dryer to floor:

Men	47 in	119 cm
Women	44 in	112 cm
Children 8-10 years	35 in	89 cm
Children 11-13 years	38 in	97 cm
Children 14-16 years	44 in	112 cm
ADA Compliant.	36 in	91 cm

SPECIFICATIONS

Voltage: Universal - 115/208/230VAC 50/60Hz
Wattage: 1450 watts
Amps: 12.6A @ 115VAC, 6.3A @ 230VAC
Motor: 20,000 RPM high-output universal
Air velocity: 19,000 linear feet per minute
Discharged air temperature: 136°F / 58°C at ambient temperature 68°F / 20°C
Sensor: Solid state infra-red, self-calibrating
Circuit breaker: Bi-metallic temp. limiting, auto-resetting
Available Cover material:
 Steel, 16ga (1.5mm), porcelain enamel finish
 Stainless Steel, 16ga (1.5mm), brushed or mirror polish
Cover attachment: Tamper-proof screws
Net weight: 11lbs / 5kg
Dimensions (H x W x D):
 11" x 9-1/8" x 6 3/4" (279mm x 232mm x 172mm)
Warranty: 10 years parts only
Available finishes: Steel Cover - White or Black
Stainless Steel Cover - Brushed or Polished



FEATURES

Unsurpassed speed – Blows water off hands and evaporates residual moisture with ultra-high velocity warm air. Dries completely in 10 seconds
Universal voltage – Auto-sensing circuit instantly adjusts to 115, 208 or 230 volts
Intelligent sensor – Exclusive self-calibrating infra-red sensor continuously monitors and adjusts to compensate for changes in ambient conditions
Steel Cover – Choose 16 ga steel with porcelain enamel, or 16ga stainless steel with a brushed or mirror polished finish
Compact, modern design – Elegant housing; the smallest high-velocity hand dryer on the market
Environmentally friendly – Uses 1/6 the energy of conventional hand dryers and costs 25 times less than paper towels to operate
Long lasting - Virtually indestructible cover and high quality mechanism warranted for 10 years
Wireless control - through the online portal; allows for customization of the product features such as personalized greeting, dryer sensitivity, activation distance, easy diagnosis and troubleshooting
Mobile Device Access - Unit can be controlled through mobile devices, receive SMS text communications on the status of the unit

iCAST SCREEN SET UP:

STEP 1: Go to the gear box on the home screen, when prompted enter passcode: 1234

STEP 2: You have now access to the main dashboard and all the dryer functions (diagnostic, language, locks, etc.)

STEP 3: Use the SD card included to upload all desired files



Replacement Parts

1	Baseplate
2	Motor Assembly
3	Heating Element
4	Inlet Grill
5	Element Housing
6	Circuit Board
7	Outlet Grill
8	Sensor
9	Nozzle
10	Nameplate
11	Cover
12	Fasteners
13	Sensor Mounting Plate
14	NOT AVAILABLE
15	NOT AVAILABLE

Printed in Canada
7214420100R00

Distance from bottom edge of dryer to floor:

Men	47 in	119 cm
Women	44 in	112 cm
Children 8-10 years	35 in	89 cm
Children 11-13 years	38 in	97cm
Children 14-16 years	44 in	112 cm
ADA Compliant.	36 in	91 cm



Tel: 1855 550 0303
www.comaccorporation.com