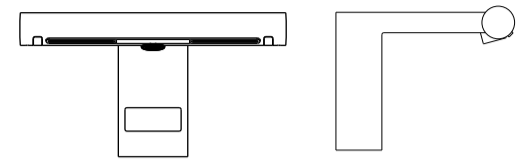


Tap Hand Dryer

Please read this instruction carefully before installation and keep it for further reference

PRODUCT MANUAL

PRE-INSTALLATION INFORMATION



Warning

If you don't use the unit properly or follow the safety guidelines carefully, It would lead to serious personal injury.



Prohibited

Do not use in the following environment

- Wet environment
- High light intensity environments
(Otherwise, this may cause self-induction.)



Important!
Always follow instructions closely



- **Installation work should be done by the qualified technician**
Incorrect wiring connection can cause electric shock and fire.

- **The installation location should be strong enough to support the unit, and the unit should be installed firmly on the surface**
Otherwise, this may cause personal injury due to the unit falling.

- **Do not attempt to install the unit with the power on (power cord)**
Otherwise, it may cause electric shock.

- **Please install residual-current circuit breaker**
Otherwise, it will cause electric shock.

- **Use separate line**
Using any other electric appliance with the same line, may cause the branch socket to become hot and cause fire.



- **If the unit doesn't work, turn off the power and the ground-fault circuit breaker, and call your dealer to inspect and repair it if necessary.**

- **Before you clean the unit, turn off the power switch.**

- **If the power supply cord is damaged, it must be replaced by its service agent or a similar qualified person in order to avoid a hazard. Means for disconnection must be incorporated in the fixed wiring in accordance with the current wiring regulations.**



Do not allow the motor bucket get wet

- **Do not allow the motor bucket get wet**
Otherwise, it will cause electric shock.



Prohibit disassembling

- **Do not modify and disassemble the unit unnecessarily**

Otherwise, this may cause a fire, electric shock, or personal injury.



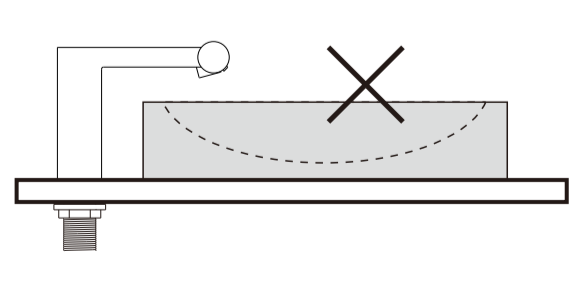
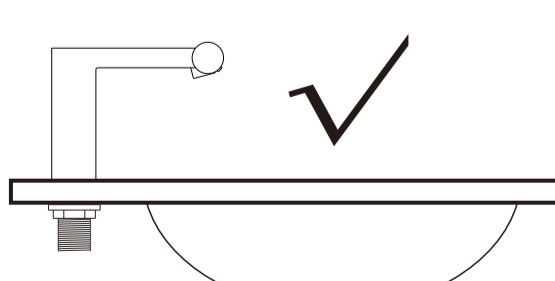
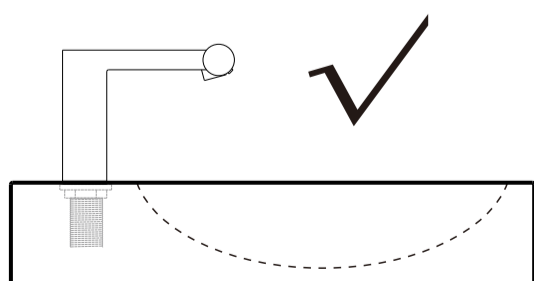
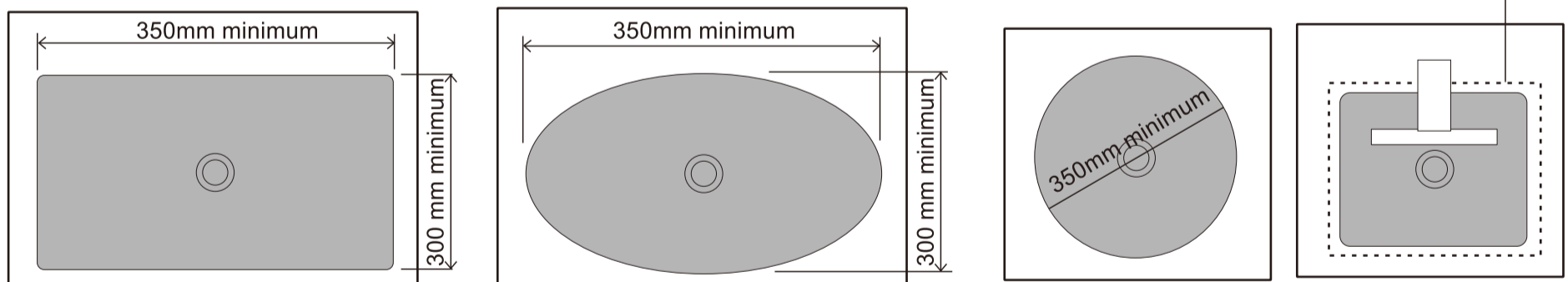
Important!
Always follow instructions closely

- **Used Indoors Only**

Sink dimensions

Size of sink minimum: 350mm x 300mm Internal depth of sink minimum : 100 mm

Minimum distance from the wall to the edge of the sink: 80mm

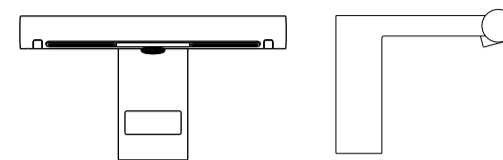


Tap Hand Dryer

Please read this instruction carefully before installation and keep it for further reference

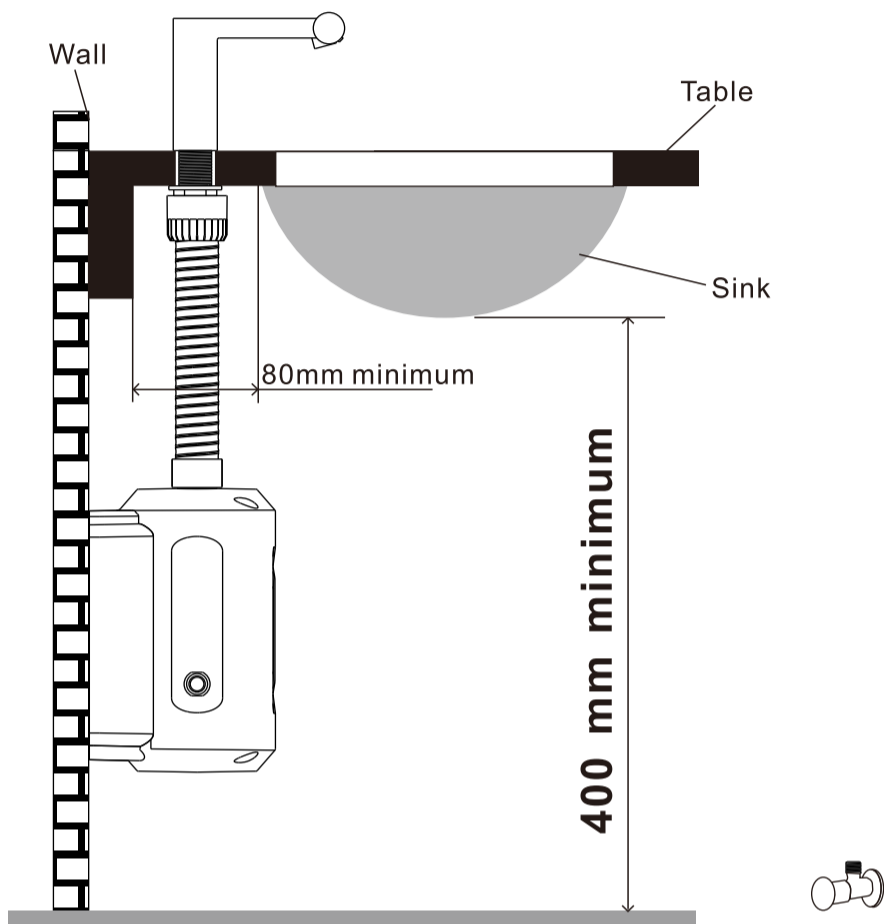
PRODUCT MANUAL

PRE-INSTALLATION INFORMATION



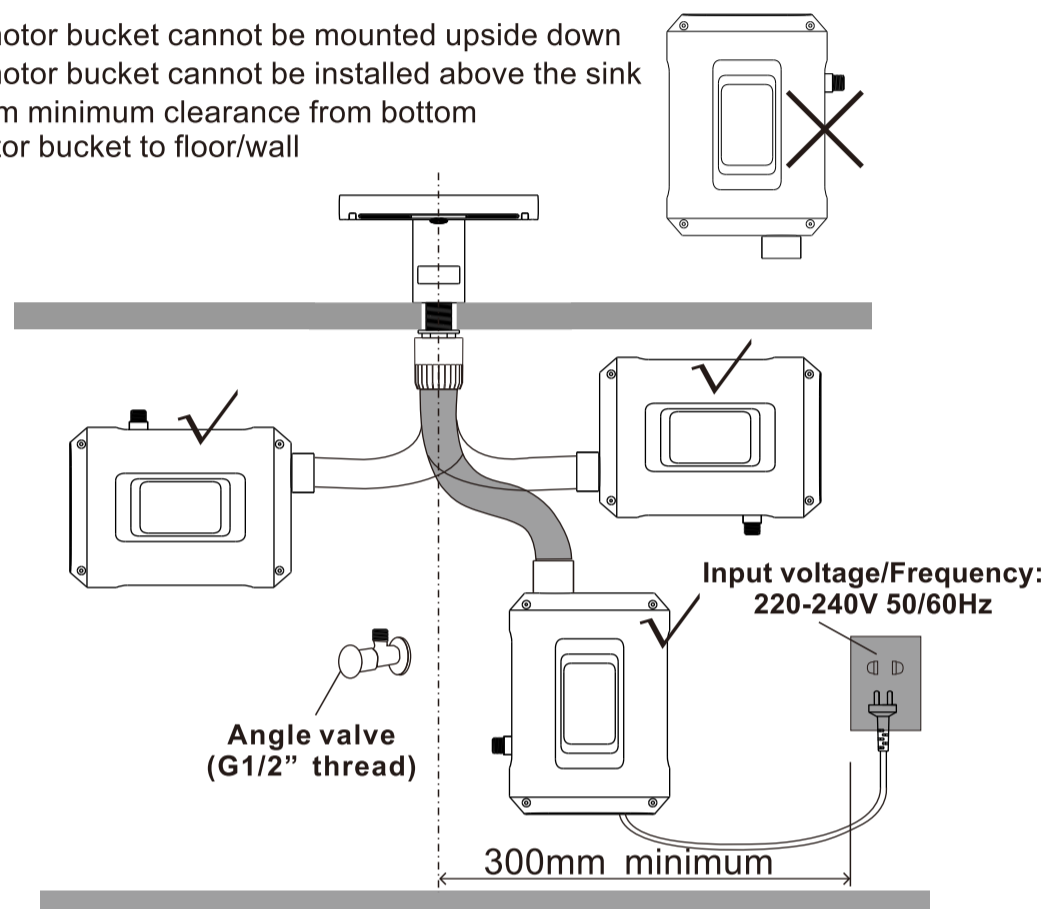
Space under the sink and electrical supply

Make sure the space is enough to install the unit



Only the following is advised

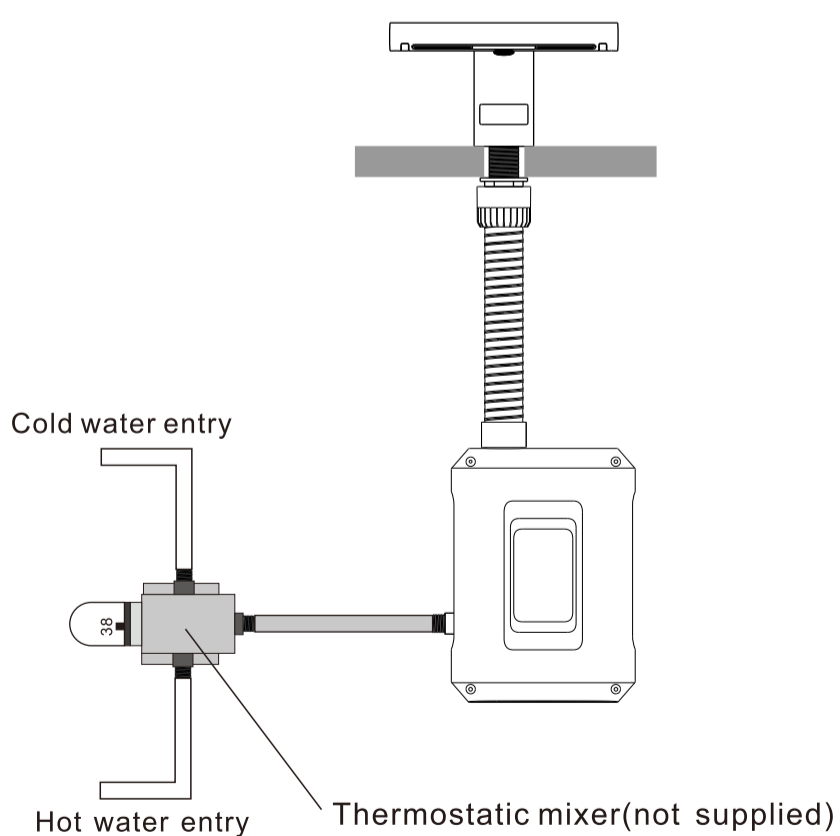
The motor bucket cannot be mounted upside down
The motor bucket cannot be installed above the sink
100mm minimum clearance from bottom of motor bucket to floor/wall



Note: Local electrical regulations must be adhered to when installing or repairing the product

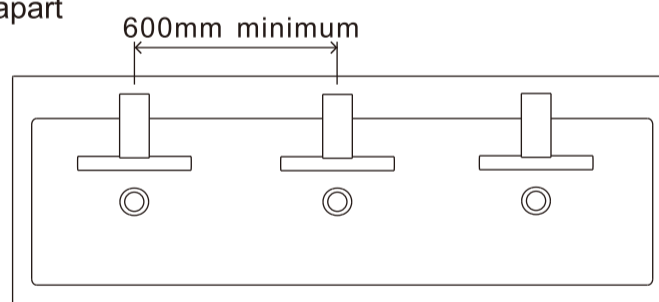
Water temperature control

If warm water is needed, please install thermostatic mixer.



Tap mounting

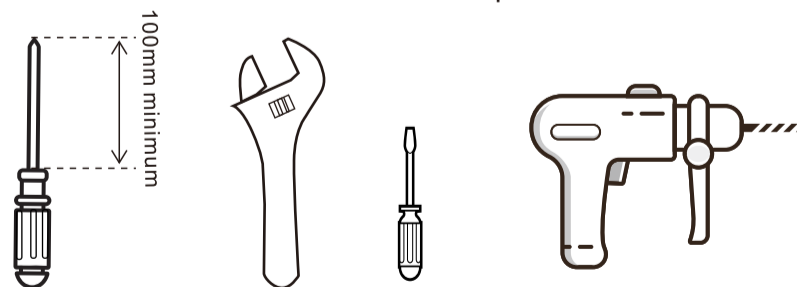
When multiple taps are installed side-by-side, tap centers should be a minimum of 600mm apart



Installation Tools

Tools required

1. Electric drill (drill bit Ø8mm)
2. Phillips screwdriver-long handle
3. Flat head screwdriver
4. Spanner



Spare parts required

1. Water entry hose (not supplied)

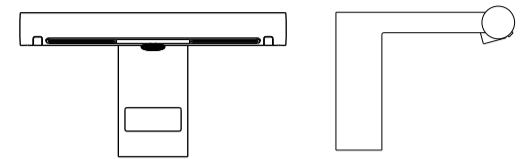


Tap Hand Dryer

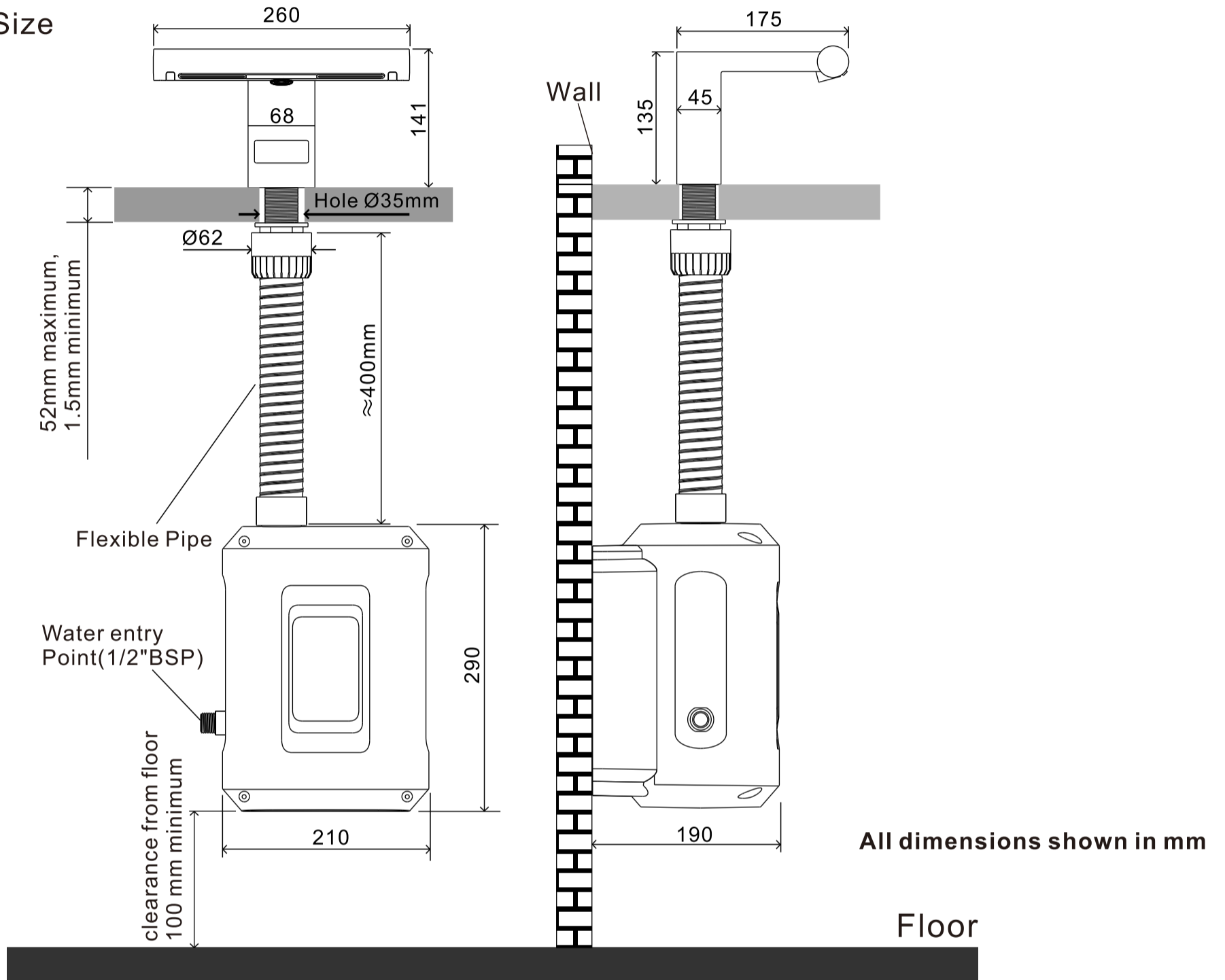
Please read this instruction carefully before installation and keep it for further reference

PRODUCT MANUAL

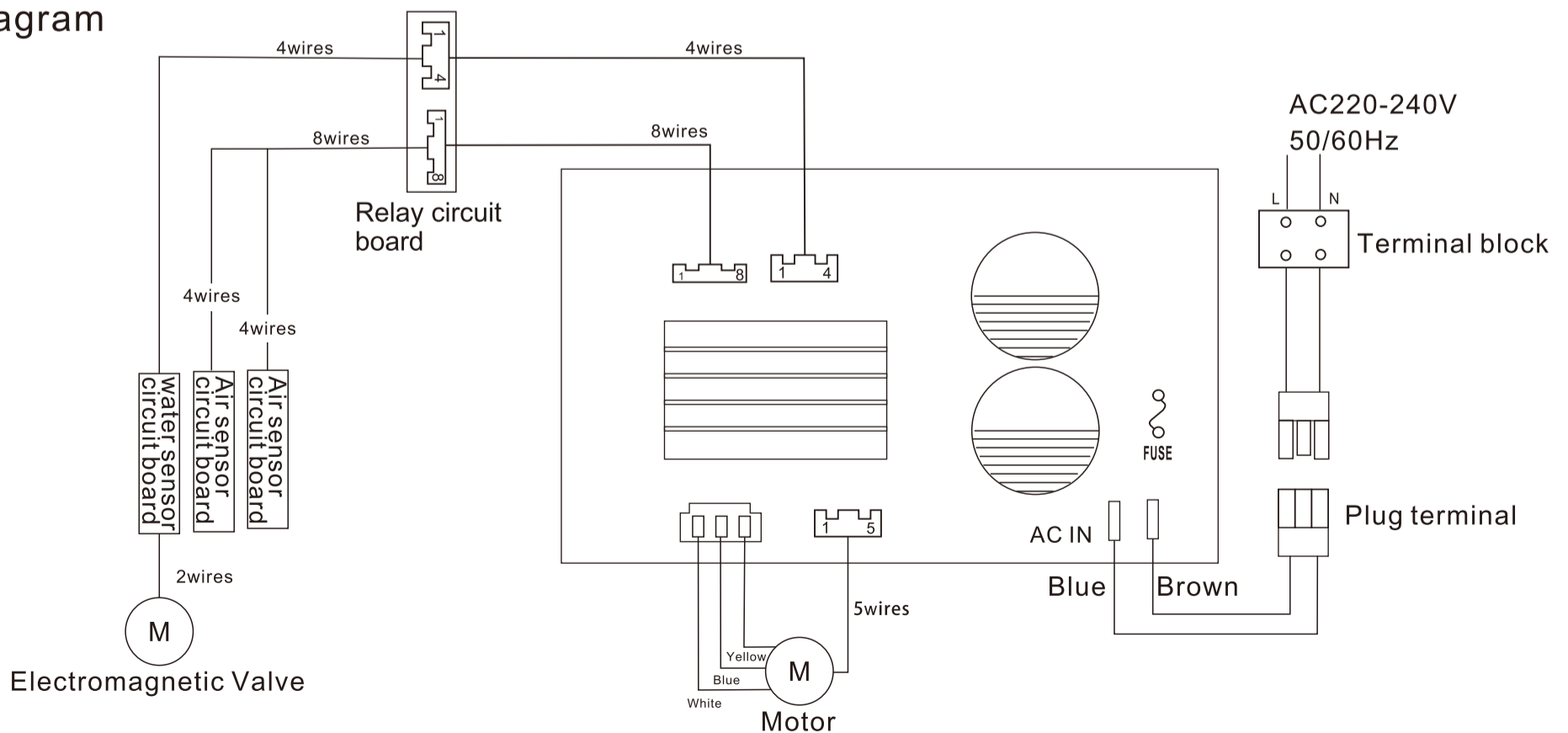
TECHNICAL SPECIFICATION



Product Size



Diagram



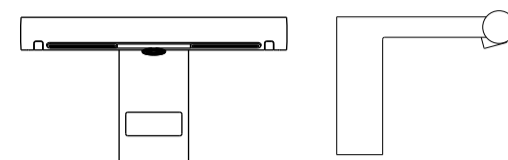
Tap Hand Dryer



Please read this instruction carefully before installation and keep it for further reference

PRODUCT MANUAL

TECHNICAL SPECIFICATION



Electrical

Voltage	AC220-240V	Water Splash Proof	IP24
Frequency	50/60Hz	Insulation class	Class II
Total Power	800W	Motor	Digital brushless DC motor
Air Speed	95m/s	Max Altitude	2000m
Drying time	10-15s	Heater type	None
Max drying time	30s	Starting system	Infrared induction
Operating temperature range	0-40°C	Sensing distance	5-12cm (automatic regulation)

Tap

Mounting	Deck mounted	Inlet connection	G1 /2"
Operating temperature range	5-65°C	Max water outlet time	60S
Water pressure required	1-8Bar	Type of tap power	AC circuit

Material and other data

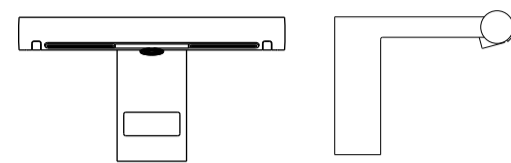
Body Material	Hpb59-1 Solid Brass	Tap surface	Multi-layer plating
Motor bucket cover	ABS	Air outlet material	ABS+PC
Filter material	Glass Fibreglass	Filter rating	HEPA(13)
Tap Dimensions (mm)	260Wx141Hx175D	Motor bucket Dimensions (mm)	210Wx290Hx190D
Pipe length	400mm	Opening hole diameter	Ø35mm
Unfitted sink	Highly polished surfaces (This may cause self-induction)	Min sink depth	100mm

Tap Hand Dryer

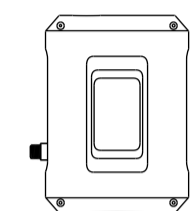
Please read this instruction carefully before installation and keep it for further reference

PRODUCT MANUAL

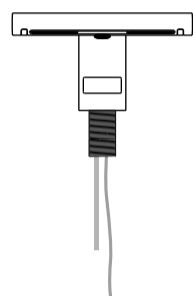
INSTALLATION



Packing List



Motor bucket

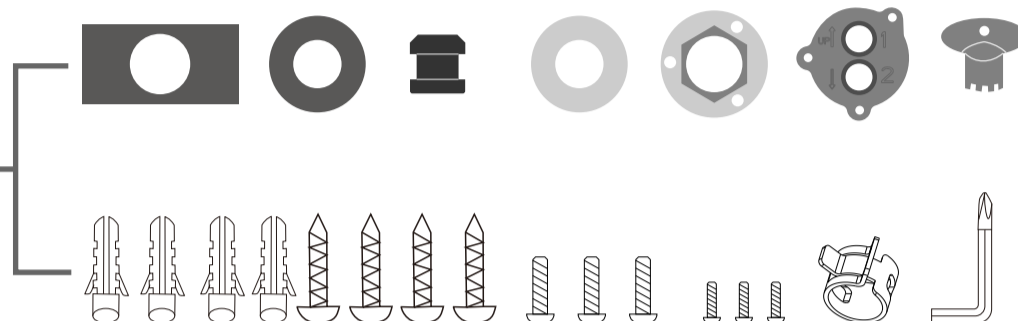


Tap

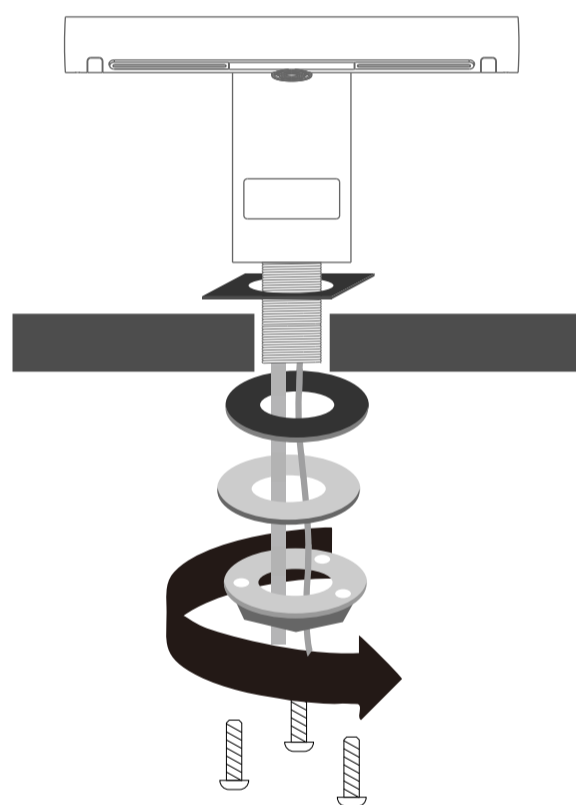


Air pipe

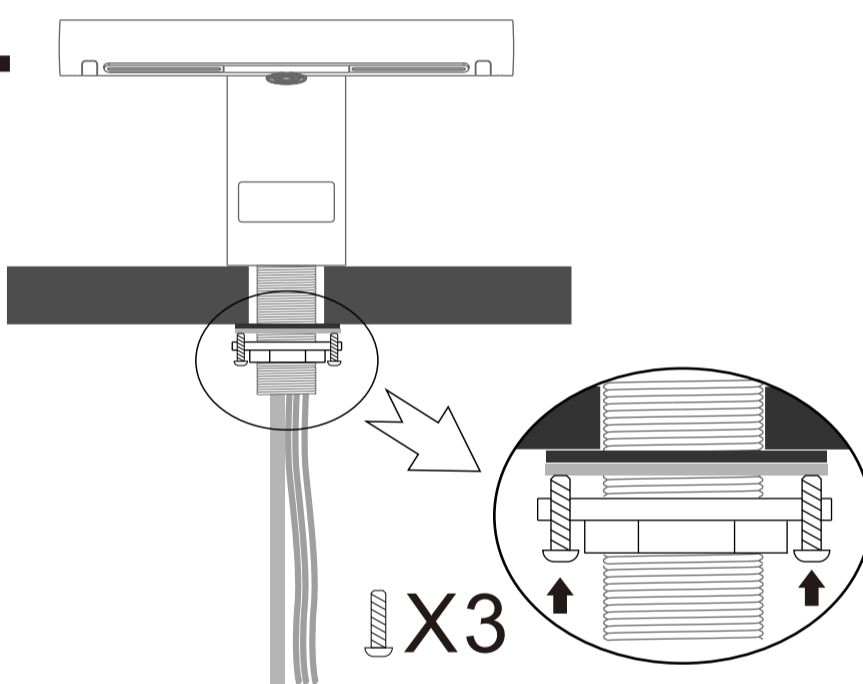
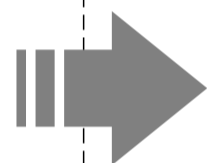
Accessories



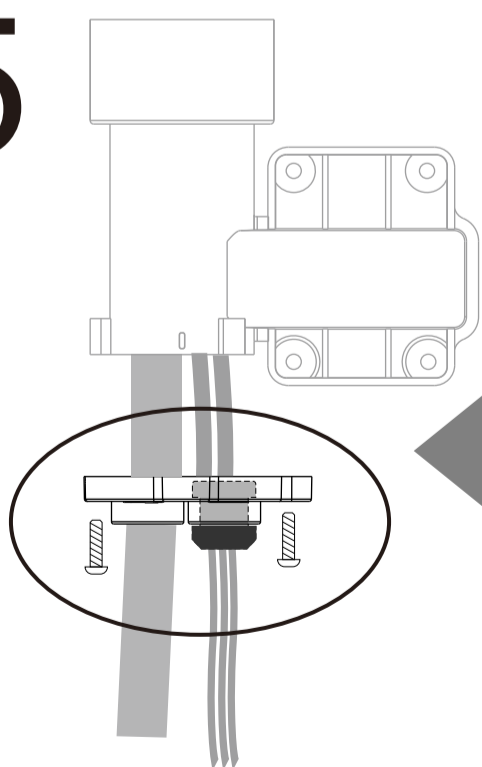
1



2

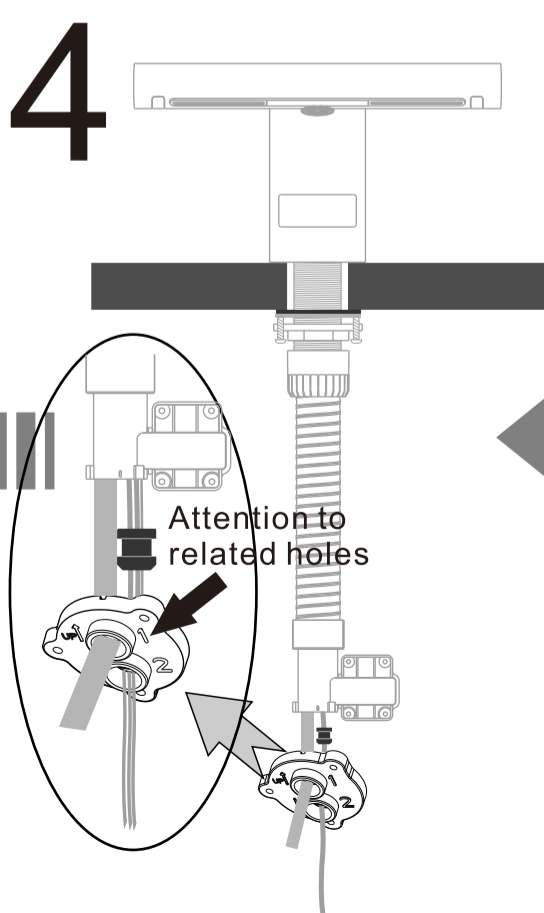


5



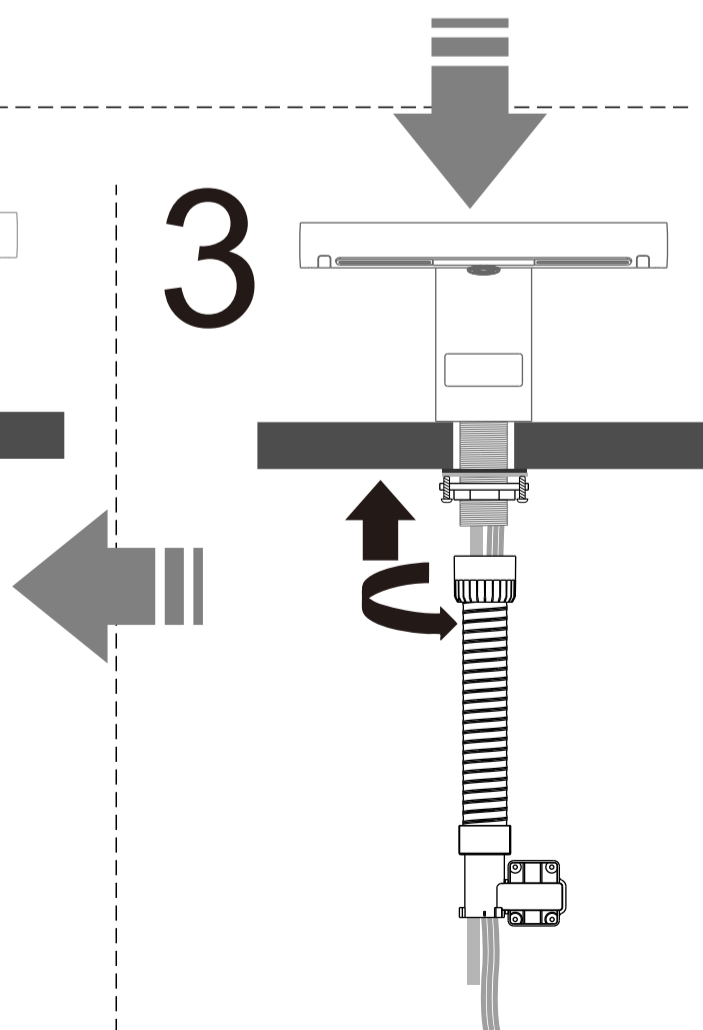
X3

4



Attention to related holes

3

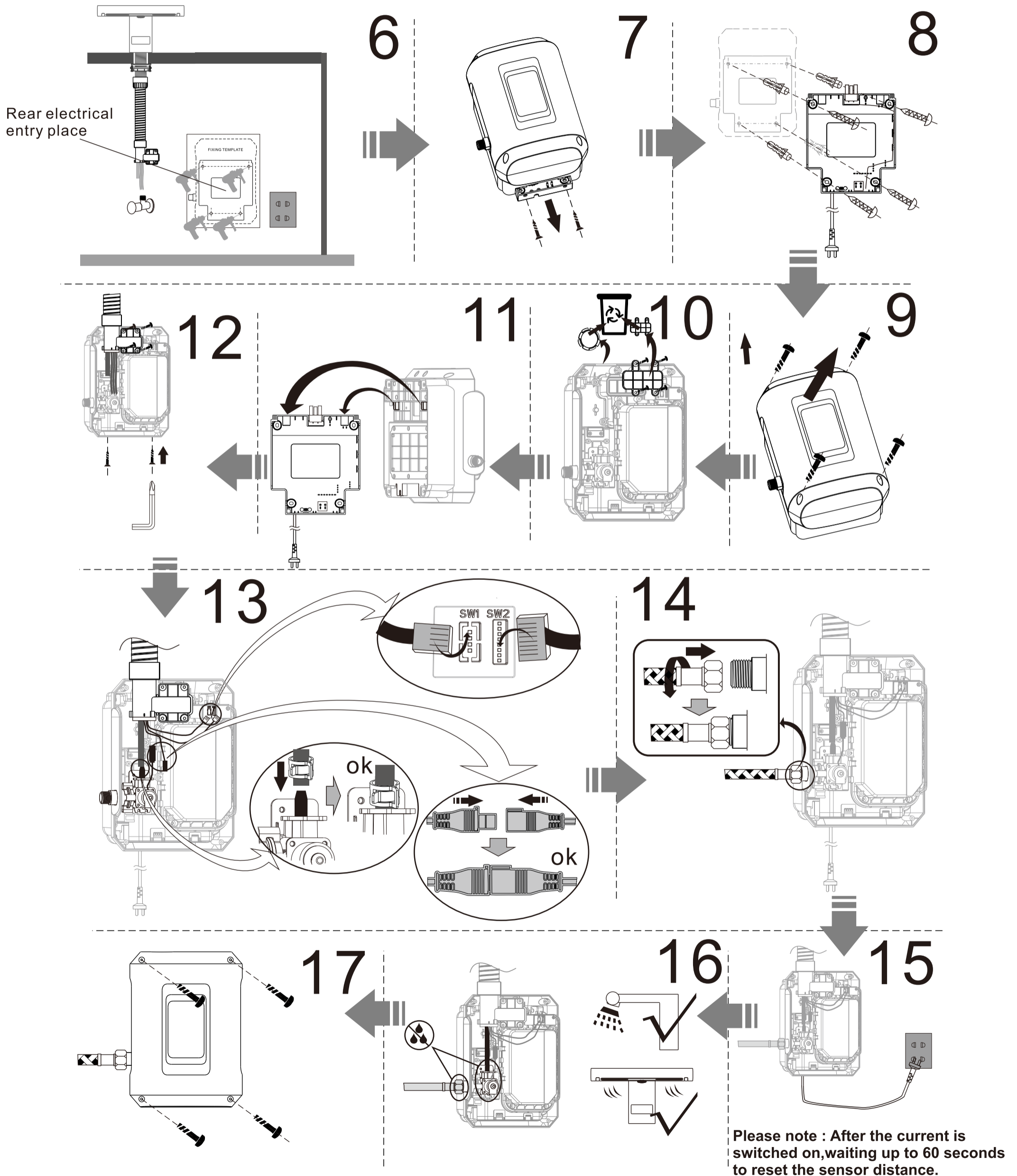
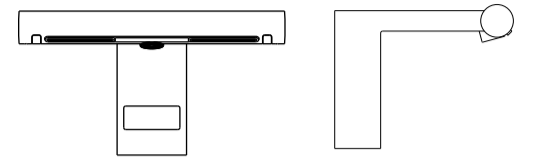


Tap Hand Dryer

Please read this instruction carefully before installation and keep it for further reference

PRODUCT MANUAL

INSTALLATION

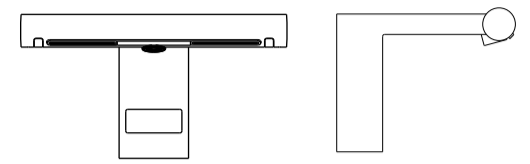


Tap Hand Dryer

Please read this instruction carefully before installation and keep it for further reference

PRODUCT MANUAL

Filter Replacement



Filter is suggested to replace every 6 months to make sure optimal effect.
Please contact local distributor to purchase new filter.

